



AC Hour Meters (ETI's)

635 & 636 Series



Square Style "Y" Bezel
Model #635 Non-Resettable



Round Style "X" Bezel
Model #636 Resettable

OVERVIEW

The MarkTime® 635 and 636 Series Hour Meters (Elapse Time Indicators) are used to record the amount of "ON-time" operation for industrial and commercial grade equipment. Resettable and Non-Resettable versions are available in either round, square or No bezel, displayed in tenths of a minute or hour.

APPLICATIONS

MarkTime® ETI's are used where indicating, monitoring and recording a process where the time used is required. Ideal for recording "ON-time" usage of machinery or equipment for billing purposes, and preventive maintenance.

FEATURES & BENEFITS

- Large, easy-to-read numbers
- Rugged design
- Continuous duty
- Tamper proof
- Permanently lubricated
- Easy to install
- Square or Round bezels

RATINGS

INPUT: 115, 220 VAC, 50 or 60 Hz

ORDERING INFORMATION

Model #635		
Part #	Bezel Type	Time Registration
10055	"E" (Round)	HRS/TEN 115/60
10063	"S" (Square)	HRS/TEN 115/60
10069	"G" (Round)	MIN/TEN 115/60
10071	"G" (Round)	HRS/TEN 115/60
10186	"K" (Square)	HRS/TEN 115/60
30850	"E+S" (R+S)	HRS/TEN 115/60

Model #636		
Part #	Bezel Type	Time Registration
10074	"X" (Round)	MIN/TEN 115/60
10075	"X" (Round)	HRS/TEN 115/60
10083	"Y" (Square)	HRS/TEN 115/60
10086	"S" (Square)	MIN/TEN 115/60

Additional configurations available

WARRANTY

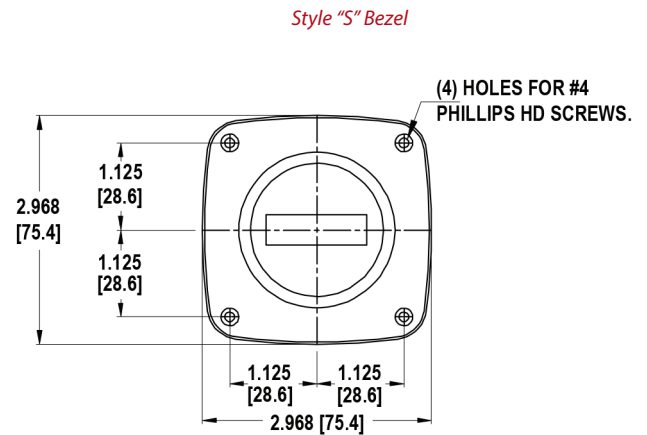
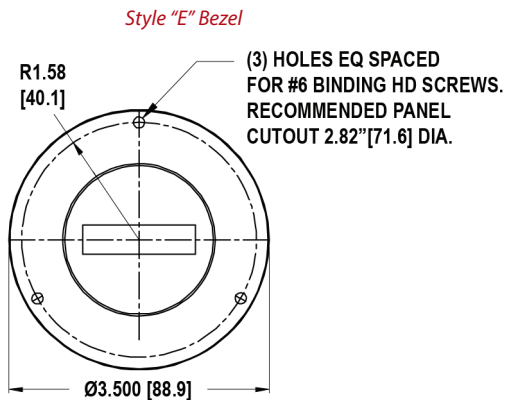
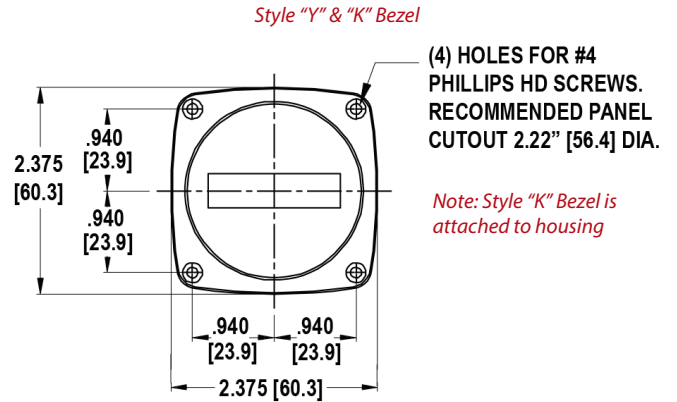
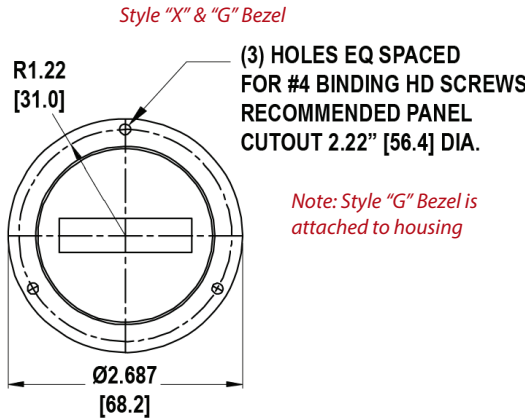
1 Year Limited Warranty



635 & 636 Series AC Hour Meters (ETI's)

BEZEL STYLES

When ordering, please specify No bezel or style of bezel as noted in these diagrams.



OPTIONS

Bezel Style: E, X, G, S, Y, K or No Bezel

Resettable to Zero

Non-resettable: Recommended when tamper proofing is required to record total "on time"

SPECIFICATIONS

	Model 635	Model 636
Display	6 Figure; 99999.9	
Time Registration	Minutes or Hours	Minutes or Hours
Resettable	Not available	Push button
Motor Specification	115, 220 VAC; 50 or 60 Hz	
Power	3.5 Watts	
Operating Temperature Range	-4°F to 131°F (-20°C to 55°C)	
Electrical Connection	6" (15 mm) Leads; 22 gauge wire	
Front Panel Mounting	3 hole Round; 4 hole Square	
Agency Approval	UL/cUL	